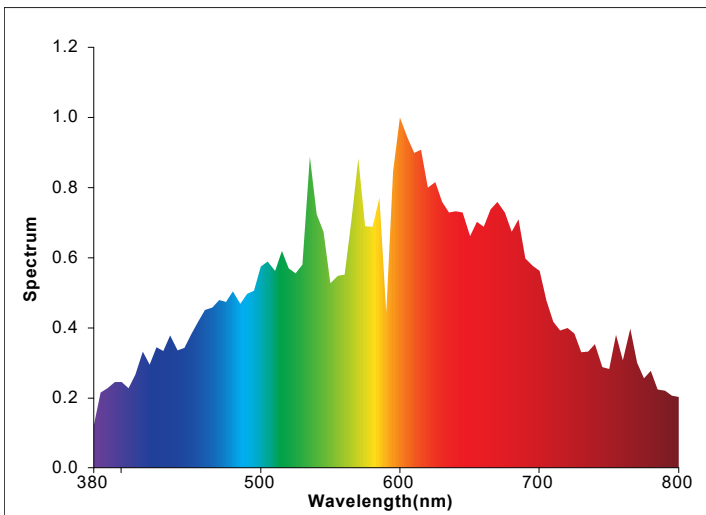
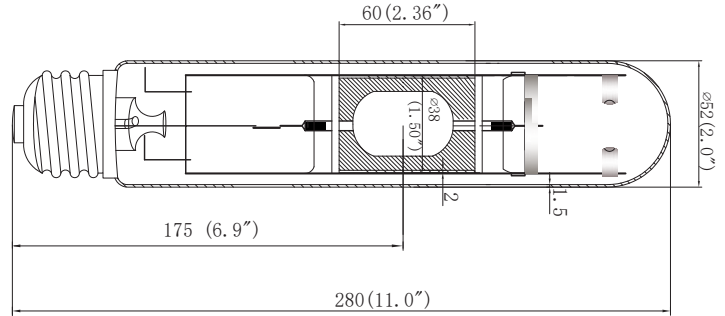
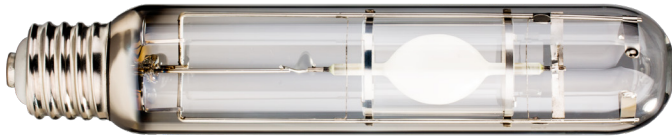




MAX YIELD · SUPERIOR QUALITY

600W 4000K E39 CERAMIC METAL HALIDE



Color & Photo Parameters

Correlated Color Temperature (CCT)

4000K

Color Rendering Index (CRI/Ra)

96

Light Output

54,000 Lumens

Lumen Maintenance

90% @8,000 Hours

Efficacy

90 Lumens/Watt

Photosynthetic Photo Flux

950 $\mu\text{mol/s}$

General Parameters

Part number

CL600W40KE39

Burning position

Universal

Cap-base

E39 Base

Fixture type

Open or Enclose

Rated life

15,000 Hours

Power (Rated)

600W

Lamp Current Run-Up

5A@120V OR 2.5A@240V

Ignition Peak Voltage

4000-5000V

Voltage

120-277V

Bulb Finish

Clear

Overall Length

11.0"

Mercury (Hg) Content

Yes

Bulb Temperature (MAX)

932°F

Warranty

1 Year