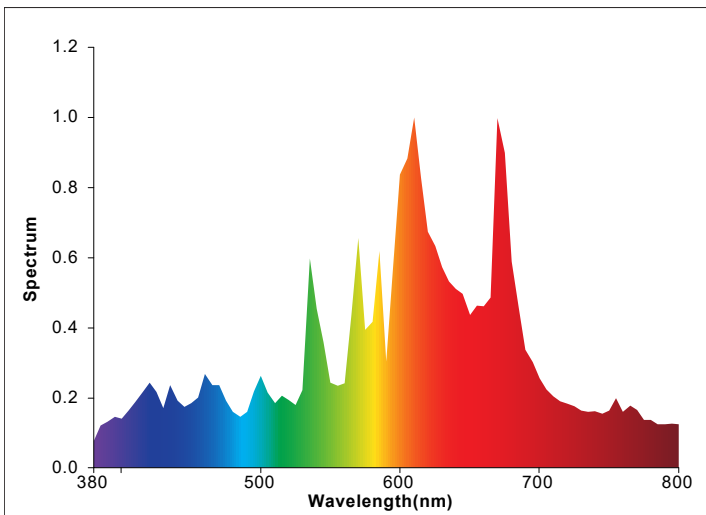
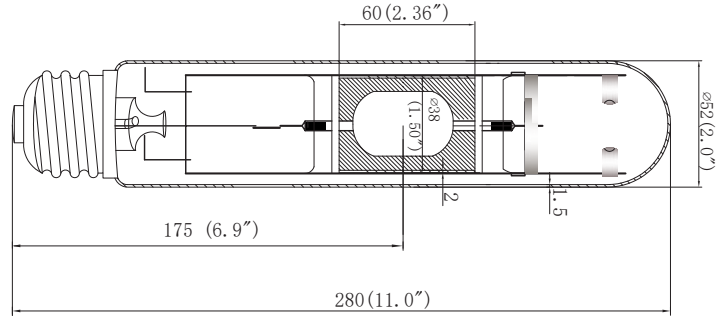
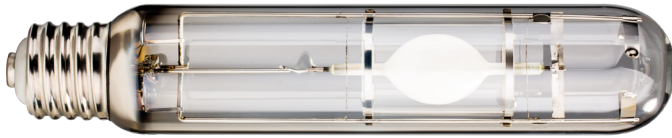




MAX YIELD · SUPERIOR QUALITY

## 600W 3000K E39 CERAMIC METAL HALIDE



### Color & Photo Parameters

Correlated Color Temperature (CCT)

3000K

Color Rendering Index (CRI/Ra)

90

Light Output

52,200 Lumens

Lumen Maintenance

90% @8,000 Hours

Efficacy

87 Lumens/Watt

Photosynthetic Photo Flux

980 µmol/s

### General Parameters

Part number

CL600W30KE39

Burning position

Universal

Cap-base

E39 Base

Fixture type

Open or Enclose

Rated life

15,000 Hours

Power (Rated)

600W

Lamp Current Run-Up

5A@120V OR 2.5A@240V

Ignition Peak Voltage

4000-5000V

Voltage

120-277V

Bulb Finish

Clear

Overall Length

11.0"

Mercury (Hg) Content

Yes

Bulb Temperature (MAX)

932°F

Warranty

1 Year